



**AVERY
DENNISON**

Fastener
Solutions

Extra Heavy Duty Fasteners Marketing Specifications

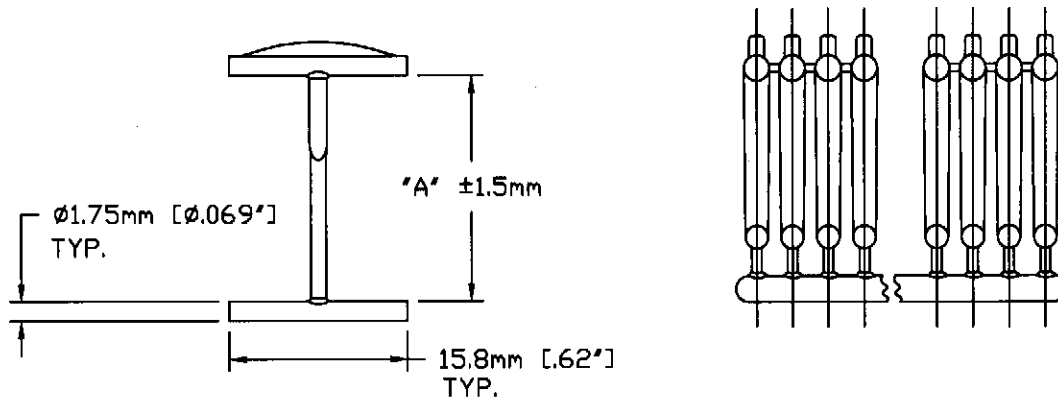
For the following part numbers:

10760-0
10761-0
10762-0
10763-0
10764-0
10765-0
10766-0
10767-0
10768-0
10769-0
10770-0
10771-0
10772-0
10773-0
10774-0
10775-0
10793-0
10794-0
10795-0
10796-0

August 1, 2018

AVERY DENNISON MARKETING SPECIFICATION

TOLERANCES IN. =± .030 IN.
MM =± 0.7 mm



NOT TO SCALE

TENSILE STRENGTH:	14 LBSF. MINIMUM UNAPPLIED
MATERIAL:	NYLON 6 - NATURAL
CLIP QUANTITY:	50
T/F CONN. PADDLES:	YES
PACKAGED:	2,500/inner carton; 25,000/inner master carton 50,000/outer master carton
APPLICATION TOOLS:	10778 - EXTRA HEAVY DUTY T-END HAND TOOL (WITH BLUNT TIP NEEDLE) 10789 - EXTRA HEAVY DUTY T-END HAND TOOL (WITH POINTED TIP NEEDLE) 10791 - EHD INDUSTRIAL LONG NEEDLE TOOL (MATTRESS TOOL) SPU4M01 - EXTRA HEAVY DUTY T-END MODULE (CONTACT LOCAL SALES PERSON FOR INFORMATION ON POWERED EQUIPMENT)

Patent(s) Pending

STOCK #	LENGTH
10760	28mm
10761	31mm
10762	34mm
10763	37mm
10764	40mm
10765	43mm
10766	46mm
10767	49mm
10768	52mm
10769	55mm

STOCK #	LENGTH
10770	58mm
10771	61mm
10772	64mm
10773	67mm
10774	70mm
10775	73mm
10793	76mm
10794	79mm
10795	82mm
10796	85mm



FASTENER DIVISION
 FITCHBURG, MA 01420 U.S.A.
 TEL. 1-800-225-5813
 MA. 978-353-8157

DESCRIPTION:

**EXTRA HEAVY DUTY T-END
 FASTENERS**

APPROVAL:

J. Boyle 9-18-07

STOCK NO.

SEE TABLE

REV

E